

PYTHON PRODUCT APPLICATIONS

GRIP. HOLD. SAFE.



Structural masonry fixings that save lives

PRODUCT APPLICATIONS

Backed by cutting-edge testing and research on earthquake retrofits, PYTHON products facilitate an extensive range of strengthening methods for existing brick and concrete masonry structures - from the front facade all the way to the rear.



ABOUT PYTHON®

Our story started helping the Canterbury Earthquake Royal Commission in assessing and collecting post-earthquake information on performance of all masonry buildings in the Christchurch area. This task soon became our passion - to engineer better products for brick and concrete masonry buildings and in doing so create a safer haven for people living and working in these buildings.

PYTHON Fixings engineered a highly innovative and fully tested range of products for all aspects of earthquake and retrofitting of buildings. Clever innovation has demonstrated huge improvements in all technical areas, while radically reducing the time and cost of installation.

PRODUCT APPLICATIONS

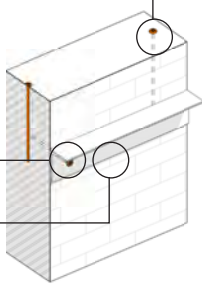
PART 1.0: BUILDING FRONT

A Steel angle parapet fixing detail (PS606)

PYTHON MT FIXINGS 340mm installed vertically

PYTHON MT FIXINGS WITH PYTHON WASHER

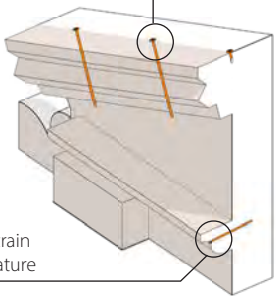
Steel member



B Securing capping stone and ornamental features (PS405)

PYTHON MT FIXINGS 340mm vertically installed to connect capping stone

PYTHON C FIXINGS to restrain ornamental feature

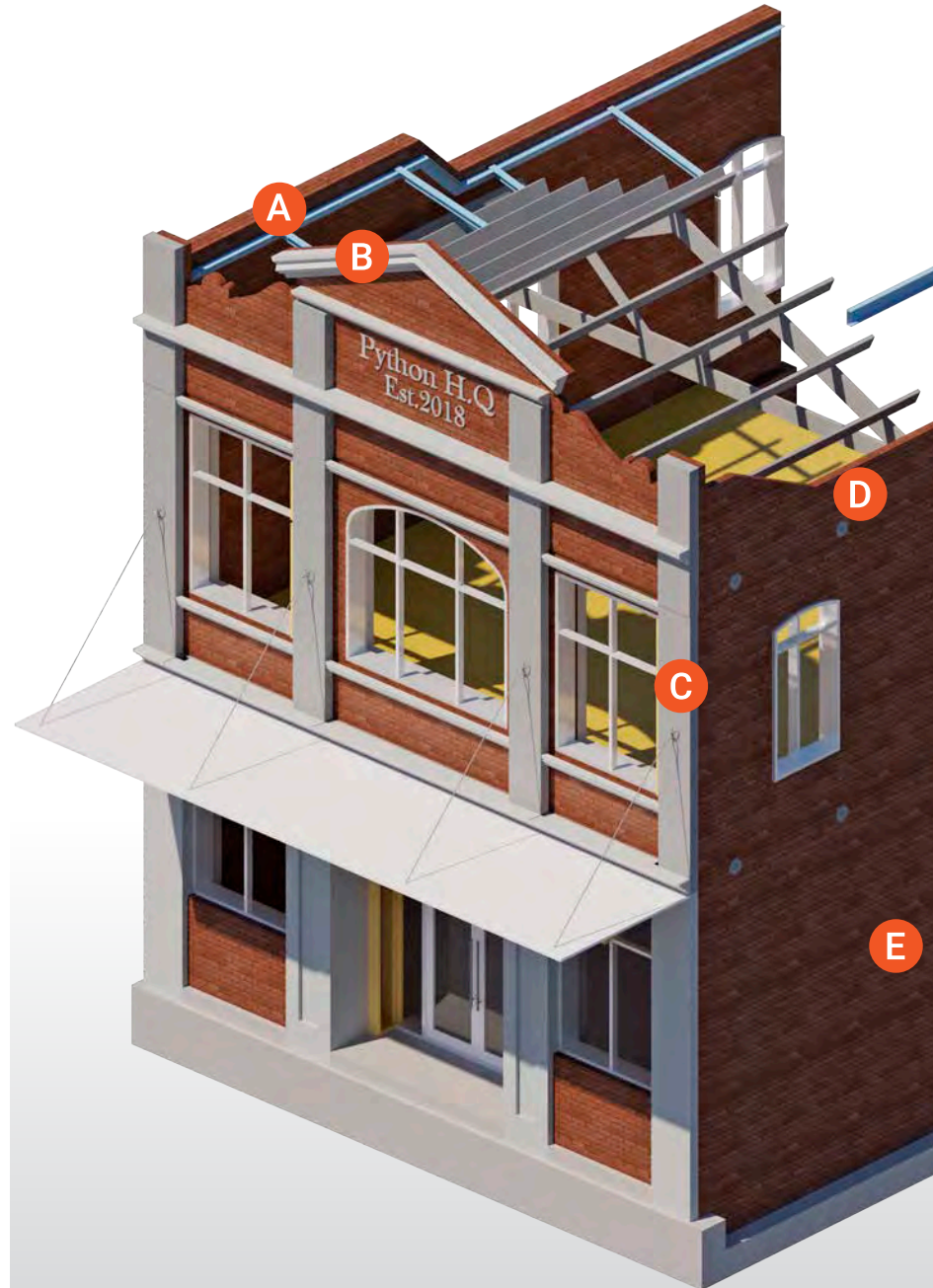
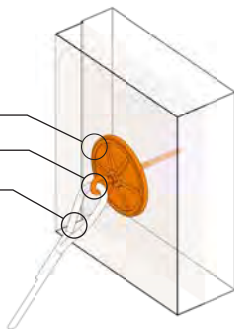


C Securing canopy with PYTHON Plates (PS802)

PYTHON MASONRY RETROFIT PLATES

Eye nut

Canopy brace



The applications shown herein are for illustration purposes and do not replace engineering calculations. For more details on these applications refer to the 'PYTHON Example Application Details Library'.

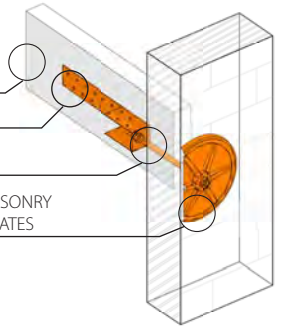
D Floor diaphragm connection with PYTHON Plates (PS801)

Timber joist

Joist plate

Anchor rod

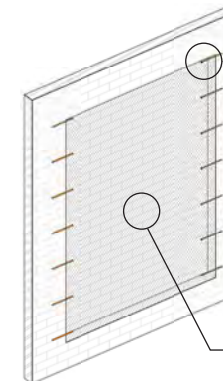
PYTHON MASONRY RETROFIT PLATES



E Window infill connection with PYTHON C (PS406)

PYTHON C FIXINGS into mortar joints

New brick infill of existing window



PYTHON C

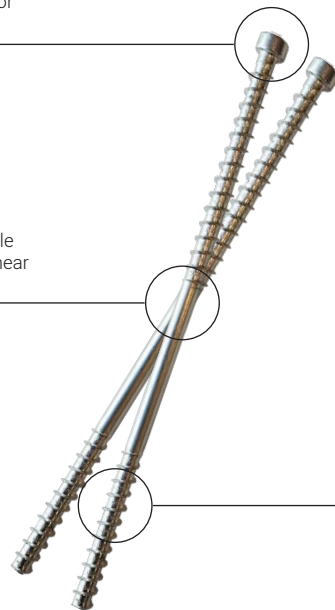
Available in 240mm lengths

Different coating options to suit application

Round Fixing head for
Torx T40 Driver Bit

Plain, enlarged middle
shank to enhance shear
transfer

6mm shank diameter with
self-undercutting threads to
prevent unwinding under
cyclic loading

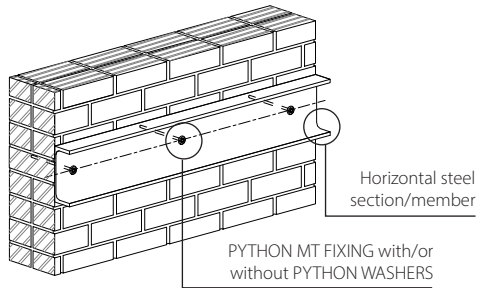


PYTHON C APPLICATIONS

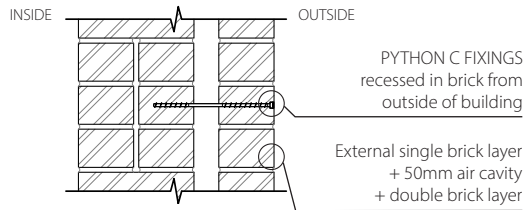
Strengthening and remediation of cavity and veneer masonry walls



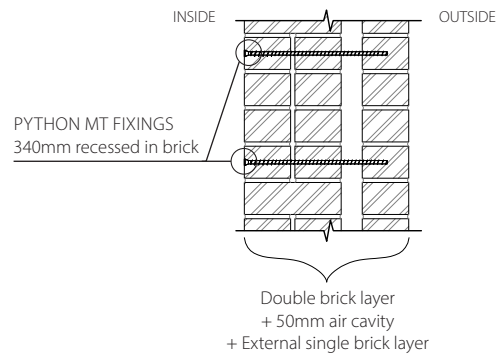
F Steel beam fixing onto masonry (PS605)



G.1 PYTHON C Fixing tying 2+1 Cavity from outside (PS102)



G.2 PYTHON MT FIXING 340mm tying 2+1 Cavity from inside (PS103)



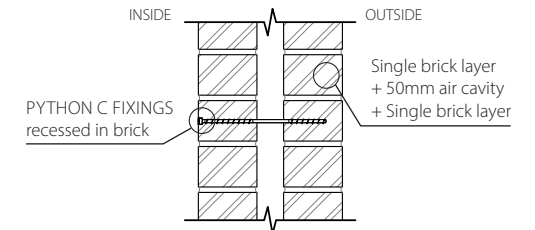
PRODUCT APPLICATIONS

PART 2.1: BUILDING MIDDLE

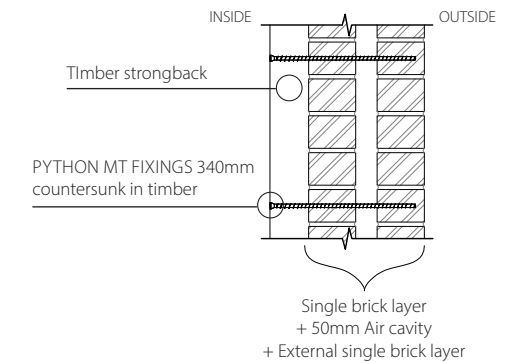


The applications shown herein are for illustration purposes and do not replace engineering calculations. For more details on these applications refer to the 'PYTHON Example Application Details Library'.

H PYTHON C Fixing tying 1+1 Cavity (PS102)



I Timber strong back fixing to cavity wall with PYTHON MT FIXING 340mm (PS304)



PYTHON MT

Available in 160mm, 230mm, 340mm lengths

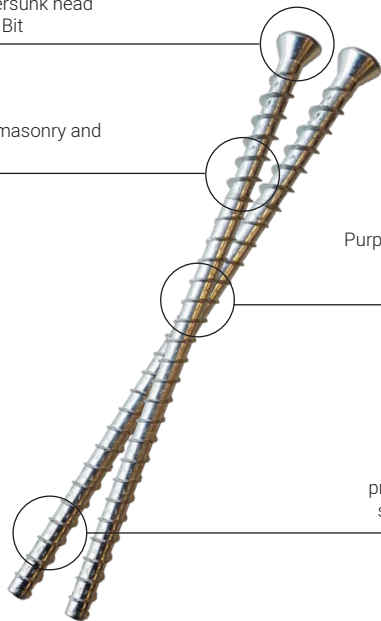
Different coating options to suit application

Conical self-countersunk head for Torx T50 Driver Bit

Innovative double masonry and timber thread

Purpose designed threads for strong grip into brick & concrete masonry

8mm shank diameter to prevent brick splitting with self-undercutting threads



PYTHON MT APPLICATIONS

Structural fixing of elements onto brick and concrete masonry



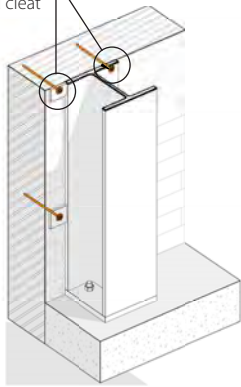
PRODUCT APPLICATIONS

PART 2.2: BUILDING MIDDLE

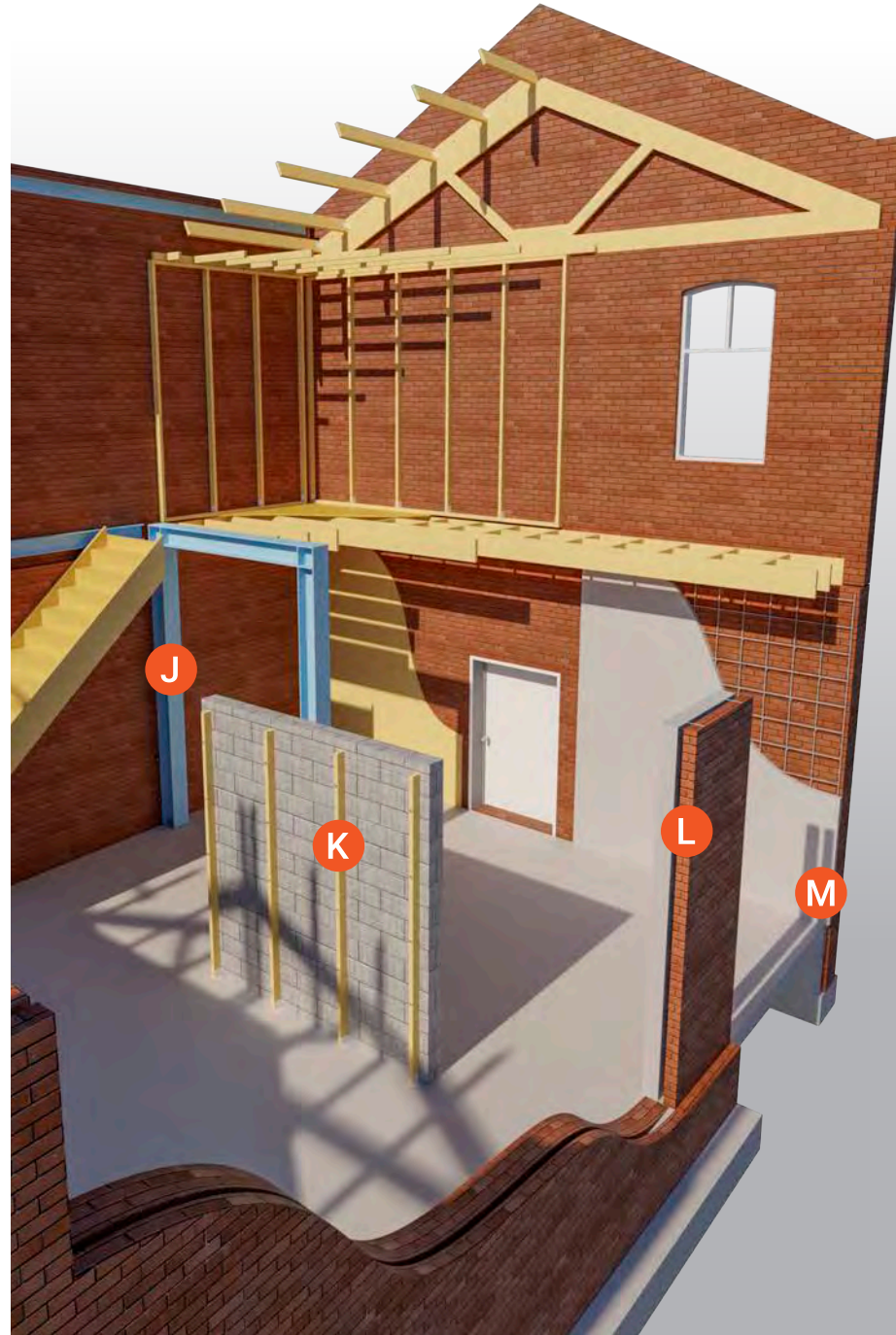
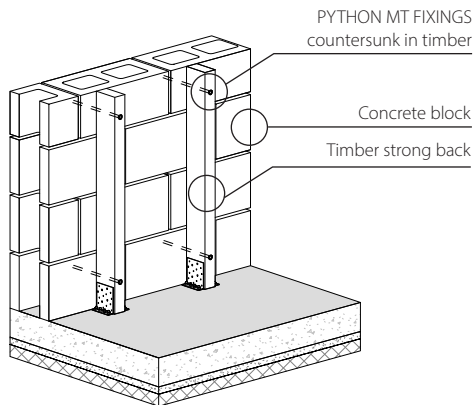
The applications shown herein are for illustration purposes and do not replace engineering calculations. For more details on these applications refer to the 'PYTHON Example Application Details Library'.

J Steel strong back fixing onto masonry (PS607)

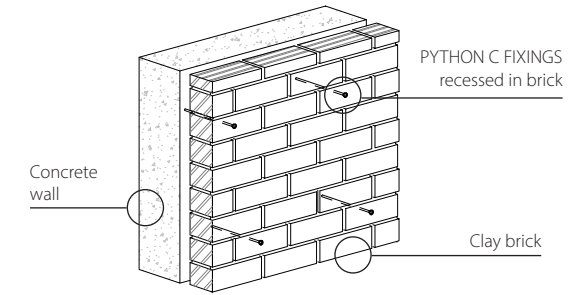
PYTHON MT FIXINGS connecting steel frame to masonry wall. Direct fixed through flange or through welded cleat



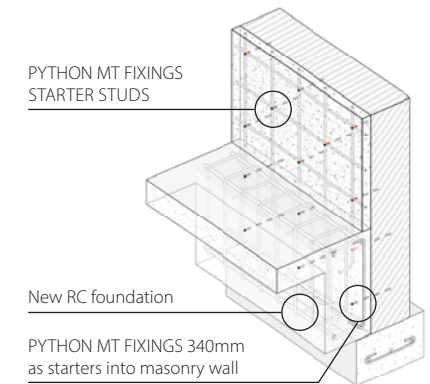
K Timber strong back fixing onto concrete masonry (PS501)



L Securing veneer onto concrete wall (PS403)



M Foundation starter studs (PS702)



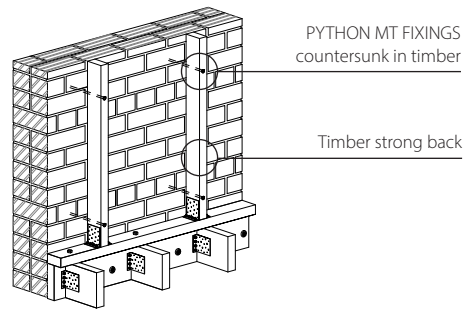
A close-up, low-angle shot of a brick wall. The wall is made of reddish-brown bricks with visible mortar lines. There are several windows with white frames, some of which are dark, suggesting they are closed or have dark shutters. Between the windows, there are decorative circular elements with a star-like pattern. The lighting is bright, creating strong shadows and highlights on the bricks.

“AN EXPERIENCE LIKE NOTHING ELSE”

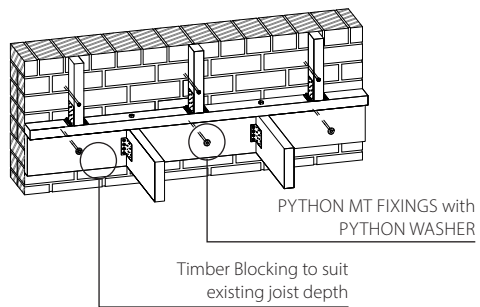
PRODUCT APPLICATIONS

PART 3.0: BUILDING REAR

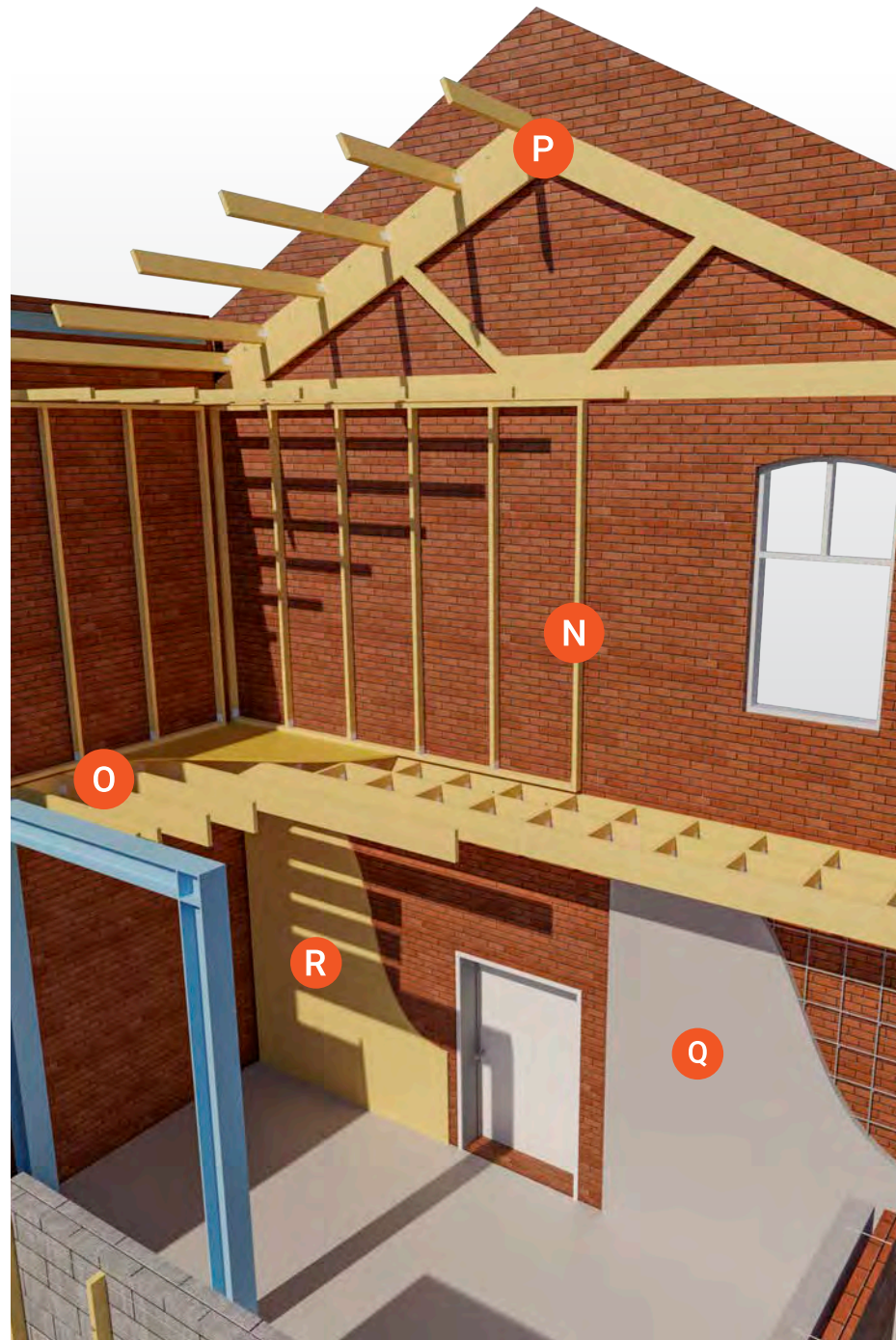
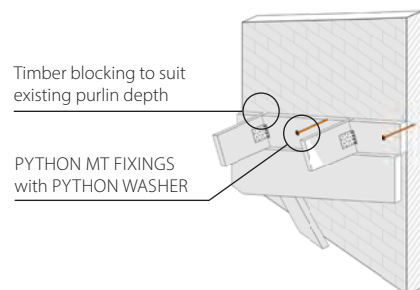
N / Timber strong back on solid masonry (PS301)



O / Timber diaphragm on masonry (PS201)

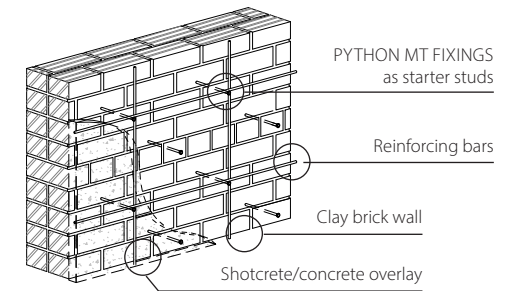


P / Roof connection to masonry (PS202)

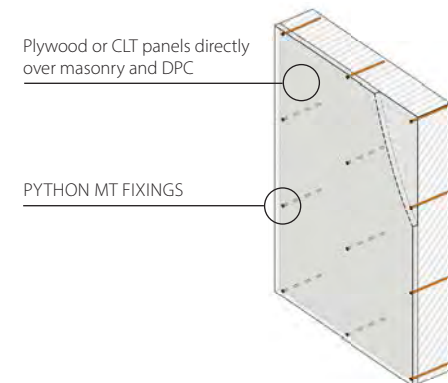


The applications shown herein are for illustration purposes and do not replace engineering calculations. For more details on these applications refer to the 'PYTHON Example Application Details Library'.

Q / Starter studs for concrete/shotcrete overlay (PS701)



R / CLT connection to masonry (PS305)





Insist on **PYTHON** for structural masonry fixings

WWW.PYTHONFIXINGS.CO.NZ | 0800 PYTHON | INFO@PYTHONFIXINGS.CO.NZ